



AB 05 Ex nR

AB 05 Ex de

Technical data

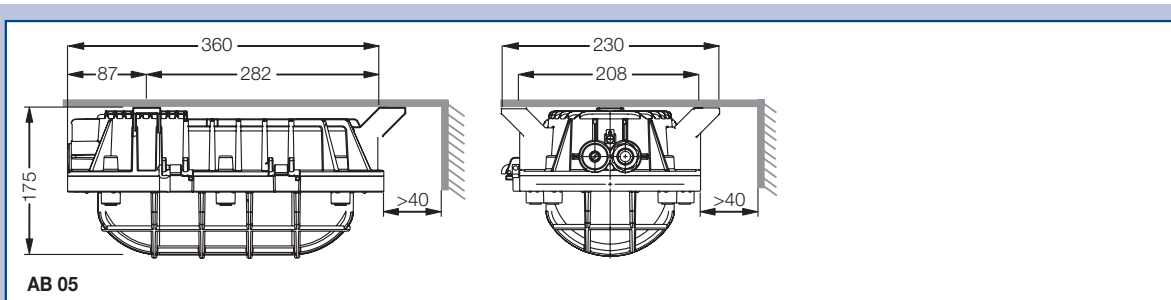
Ex-Bulkhead light fitting AB 05

| | | | |
|--|------------|--|---------------------------------------|
| Marking to 94/9/EC | AB 05 Ex-e | ⊕ II 2 G Ex ed IIC T3/T2 | ⊕ II 2 D Ex tD IP66 T125 °C |
| | AB 05 Ex-d | ⊕ II 2 G Ex d IIB (+H2) T4/T3 | ⊕ II 2 G Ex d IIB T4/T3 ¹⁾ |
| | AB 05 nR | ⊕ II 3 G nR II T4/T3 | ⊕ II 3 D Ex tD A22 IP66 T125 °C |
| EC-Type Examination Certificate | AB 05 Ex-e | BVS 07 ATEX E 152 X | |
| | AB 05 Ex-d | PTB 08 ATEX 1001 X | |
| Type Examination Certificate | AB 05 nR | BVS 07 ATEX E 151 | |
| Permissible ambient temperature | | -20 °C to +40 °C | -25 °C to +55 °C (option) |
| Rated voltage | | max. 250 V ²⁾ (AB 05 Ex e/nR) | 230 V (AB 05 Ex d) |
| Frequency | | 50 - 60 Hz | |
| Connecting terminals | | L1, N, PE: 2 x 2.5 mm ² | |
| Insulation class | | I | |
| Lamp/Illuminant | | ¹⁾ | |
| Degree of protection accd. EN 60529 | | IP66 | |
| Cable glands/Gland plates/Enclosure drilling | | 1 x M20/M25 x 1.5 / 2 x M20/25 x 1.5 one plugged, or 1 x 3/4" ISO 7/1/ 2 x 3/4" ISO 7/1 one plugged | |
| Dimensions (L x W x H) | | 360 x 230 x 175 mm | |
| Weight | | ¹⁾ | |
| Type of mounting | | ceiling/wall mounting | |
| Enclosure material | | light alloy | |
| Enclosure colour | | grey | |
| Protective cover/protective bowl | | borosilicate glass | |
| Enclosure earth | | 2 x 6 mm ² | |

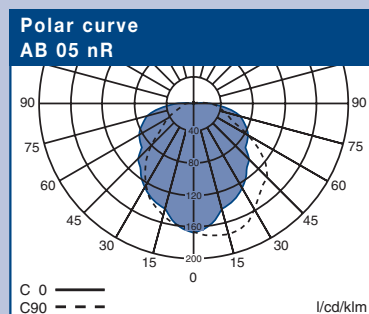
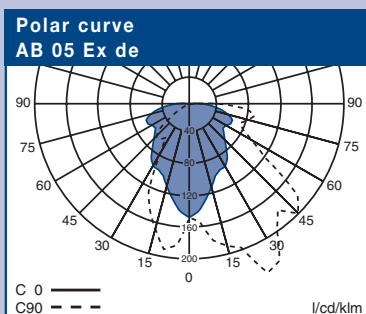
¹⁾ see ordering details

²⁾ other voltages on request

Dimension drawing | Polar curves



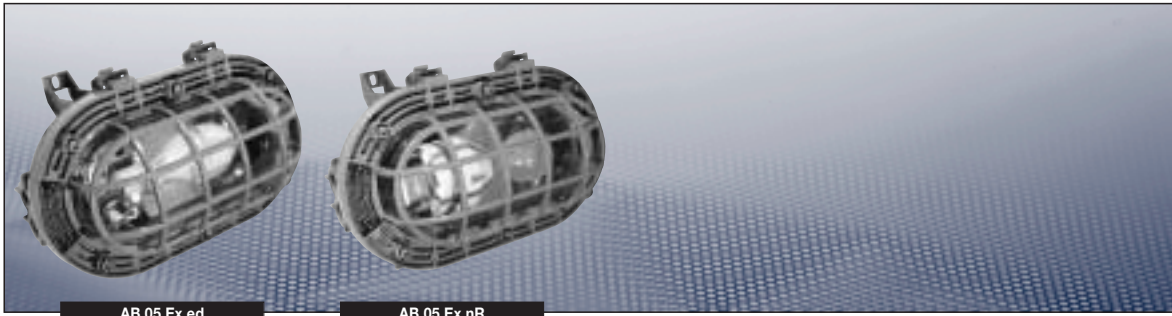
AB 05



Dimensions in mm

1
2
3
4
5
6
7
8
9
10
11
12

Ex-ceiling light fittings



Ordering details

| Type | Type of lamp | Rated luminous flux ²⁾ | Temperature class | Cable glands/threads | Weight/kg | Qty. | Order No. |
|--|------------------------|-----------------------------------|---------------------|---|-----------|------|-------------------------|
| Group II 2 G IIC (-20 °C to +55 °C) | | | | | | | |
| AB 05 Ex ed | incandescent max. 60 W | 710 lm | T3/T2 ¹⁾ | 1 x Ex e M20 | 5.9 | 1 | AB 05 531 011001 |
| AB 05 Ex ed | incandescent max. 60 W | 710 lm | T3/T2 ¹⁾ | 2 x Ex e M20, one plugged with Ex e plug | 5.9 | 1 | AB 05 531 111001 |
| AB 05 Ex ed | incandescent max. 60 W | 710 lm | T3/T2 ¹⁾ | 1 x Ex e M25 | 5.9 | 1 | AB 05 531 021001 |
| AB 05 Ex ed | incandescent max. 60 W | 710 lm | T3/T2 ¹⁾ | 2 x Ex e M25, one plugged with Ex e plug | 5.9 | 1 | AB 05 531 221001 |
| Group II 3G Ex nR II (- 50°C to + 55°C) | | | | | | | |
| AB 05 nR | 70 W HSE | 5600 lm | T4 | 1 x Ex e M20 | 5.4 | 1 | AB 05 611 011001 |
| AB 05 nR | 70 W HSE | 5600 lm | T4 | 2 x Ex e M20, one plugged with Ex e plug | 5.4 | 1 | AB 05 611 111001 |
| AB 05 nR | 70 W HSE | 5600 lm | T4 | 1 x Ex e M25 | 5.4 | 1 | AB 05 611 021001 |
| AB 05 nR | 70 W HSE | 5600 lm | T4 | 2 x Ex e M25, one plugged with Ex e plug | 5.4 | 1 | AB 05 611 221001 |
| Group II 2 G IIB +H2 (- 20°C to + 55°C) | | | | | | | |
| AB 05 Ex d | 70 W HSE | 5600 lm | T4 | 1 x Ex d NPT 1/2" thread | 6.9 | 1 | AB 05 111 031001 |
| AB 05 Ex d | 70 W HSE | 5600 lm | T4 | 2 x Ex d NPT 1/2" thread, one plugged with Ex d plug | 6.9 | 1 | AB 05 111 331001 |
| AB 05 Ex d | 70 W HSE | 5600 lm | T4 | 1 x Ex d NPT 3/4" thread | 6.9 | 1 | AB 05 111 041001 |
| AB 05 Ex d | 70 W HSE | 5600 lm | T4 | 2 x Ex d NPT 3/4" thread, one plugged with Ex d plug | 6.9 | 1 | AB 05 111 441001 |
| Group II 2 G IIB (- 20°C to + 55°C) | | | | | | | |
| AB 05 Ex d | 70 W HSE | 5600 lm | T4 | 1 x Ex d NPT 1/2" thread | 6.9 | 1 | AB 05 211 031001 |
| AB 05 Ex d | 70 W HSE | 5600 lm | T4 | 2 x Ex d NPT 1/2" thread, one plugged with Ex d plug | 6.9 | 1 | AB 05 211 331001 |
| AB 05 Ex d | 70 W HSE | 5600 lm | T4 | 1 x Ex d NPT 3/4" thread | 6.9 | 1 | AB 05 211 041001 |
| AB 05 Ex d | 70 W HSE | 5600 lm | T4 | 2 x Ex d NPT 3/4" thread, one plugged with Ex d plug | 6.9 | 1 | AB 05 211 441001 |

¹⁾ T3 only with lamp accd. to EN 60064 and DIN 49810 marked "T"

²⁾ depends on used lamps

Lamps and fixing accessories are not included.