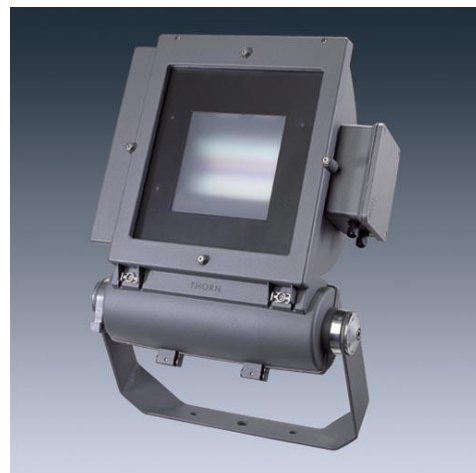


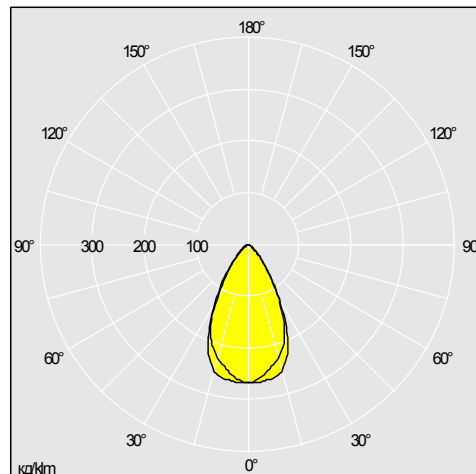
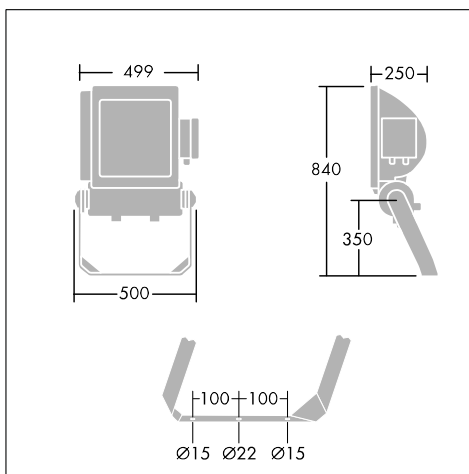
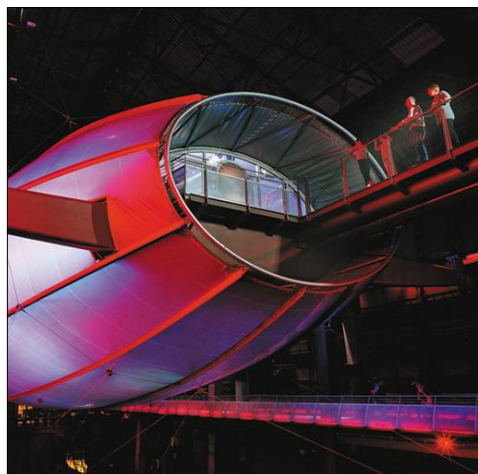
Contrast Spectra C2

A 250W floodlight with a CYM dichroic colour changing system for dynamic lighting

- Версия хорошо себя зарекомендовавшего прожектора Contrast с технологией изменения цвета для освещения фасадов и сооружений высотой до 12 м
- Легкость в настройке и монтаже. Регулирование упрощено на счет использования индикатора на скобе со специальным приспособлением для фиксации положения
- Оптимизирован для высокопроизводительной лампы HIT-DE 250 Вт (цветовоспроизведение и срок эксплуатации)
- ПРА входит в комплект



Фотографии, линейные чертежи и фотометрические данные показаны только в качестве образца. Для получения специфической информации пожалуйста выберите индивидуальный продукт.



96009842

Material/Finish

Body and side mounted addressing box: die-cast aluminium, grey powder coat textured finish close to RAL 9007.
 Front glass: 5mm toughened glass.
 Lamp holder cover: aluminium, grey powder coat textured finish.
 Reflector: glass faceted mirror reflector.

Contrast Spectra C2

Монтаж/Обслуживание

Floodlight is fully adjustable on a short stirrup. Aiming simplified by indicator on stirrup, locked via central 8mm² Allen screw. Easy access to lamp via two Allen screws. Lamp replacement possible without removing attachments. Supplied complete with control gear. Control gear compartment, with rear access panel, fixed below body. Entry via two Allen screws. Cable gland for 7.5-13mm² cable. Additional knock-out provided for through wiring. Address box equipped with 2 No. cable entry glands for DMX NIP cable, loop-in/loop-out facility. Programming Options by using remote programmers (or 'Spectrasoft' software). Programming can be performed in easily accessible areas. Access to projectors unnecessary, providing they have been correctly addressed during installation.

Colour change system: CYM dichroic technology

The CYM system comprises 3 dichroic filters (Cyan, Yellow and Magenta). These filters combine and interplay to create any colour within the spectrum. 62 colours are possible when using the dedicated programmer or an infinite number when using the 'Spectrasoft' software package.

CYM Programmer

The number of 'scene' possibilities available to users of CYM technology is virtually infinite. However, the CYM programmer has been developed to provide ready-made programme solutions for a wide variety of scene options, thus simplifying the programming of an advanced system. Programming is effected by push buttons and an LED display to monitor the inputs. The unit is located in an IP65 rated aluminium housing.

Инструкция для заказа Lamps to be ordered separately.

Описание	Код ILCOS	Патрон	Вт (кг)	Код SAP
Contrast Spectra C2 Floodlight with control gear				
CONTRAST SPECTRA C2 250W 230V HIT-DE	MD	Fc2	16	96009842
Contrast Spectra C2 Programme Control and Transmission				
CONTRAST SPECTRA CMJ SENP			1,9	96012355
CONTRAST SPECTRA SPECTRASOFT CD			0,1	96012354
CONTRAST SPECTRA SIGNAL BOOSTER X2 DMX			2,6	96009848
CONTRAST SPECTRA HF EMITTER			2,16	96009849
CONTRAST SPECTRA HF RECEIVER			1,96	96009850
CONTRAST SPECTRA HF BOOSTER			2,55	96009851
CONTRAST SPECTRA SIGNAL BOOSTER X4 DMX			3	96012407
CONTRAST SPECTRA CAB DMX512 DMX			0,1	96230866
Contrast Spectra C2 Accessories				
CONTRAST C2 LV			0,9	96002416
CONTRAST C2 LR3			1,9	96002425
CONTRAST C2 LR1			1,6	96002423
CONTRAST C2 WG			0,2	96002432
CONTRAST C2 FILTER/FR			1,7	96002426
CONTRAST C2 LR2			2	96002424
CONTRAST C2 VS			0,3	96002519
CONTRAST C2 AGS			0,5	96002438
CONTRAST C2 LV/AJ			1	96005829
CONTRAST 2 BRA LG			3	96216178